



PRODUCT SPECIFICATIONS

NAME: 3W 6~60VDC LED Conversion Kit

ORDER CODE#: SF033CP003P

TYPE: LED Emergency Ballast

LED Emergency Driver

LED Emergency Conversion Kit

SUB-TYPE: Constant Power Emergency Driver

UPDATED: 2019-12-18

APPLICABLE FOR: LED Downlight/Panel

FEATURES

- Intelligent automatic recharging and converting function
- Constant current battery charger
- 3 hours emergency operation
- Led charge status display
- Inverter with multiple protection functions: charge protection, discharge protection, short circuit protection
- High quality of Ni-Cd rechargeable battery with three years of life.
- Small volume, convenient and flexible installation to suit the mains conditions.



SPECIFICATIONS

Driver Type	Constant Power
Support Lamps	Downlight/Panel
Battery Type	Ni-Cd D4000mAh, 3.6V
Dimmable	Yes
Self-Test Ability	No
Warranty	3 Years
Surge-Protection	Yes
LED Indicator	φ5mm Green LED with 300mm Line, 25#

OPERATION SPECIFICATIONS

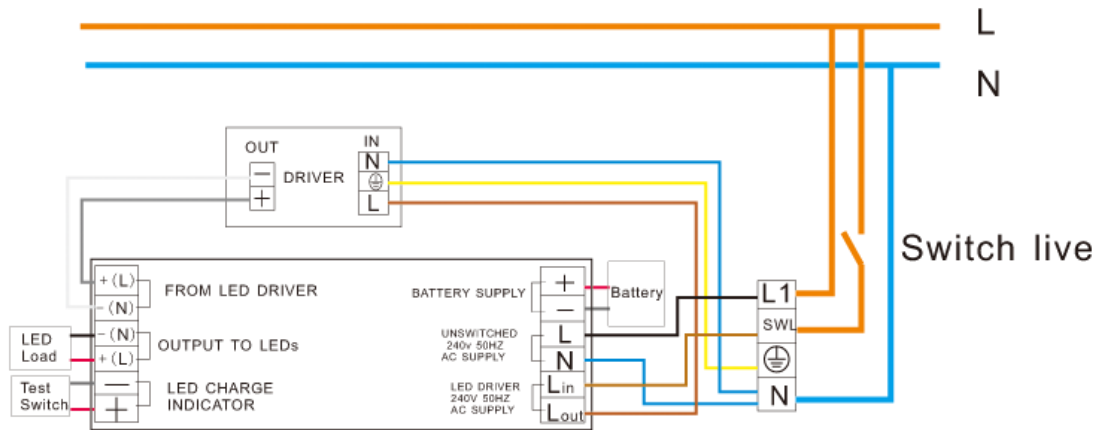
Output Power	3 Watt
Input Voltage	220V-240V, AC 50HZ/60HZ
Output Voltage	6~60VDC
Charge Current	200 ± 50 mA
Illumination Time	3 Hours
Recharge Time	24 Hours
Mode Switch Time	<0.5 Sec

Disclaimer: Sanforce© reserves the right to make changes in specifications and/or to discontinue any product at any time without notice or obligation and will not be liable for any consequences resulting from the use of this publication.



WIRING DIAGRAM

Connection diagram



PHYSICAL PROPERTIES

Weight 700 g/pcs

Dimension(mm) 235x52x31

Battery Φ 35x260

Dimension(mm)

Encasing 235x52x31

Dimension(mm)

TEMPERATURE AND RATINGS

Ambient Temperature -20 to 45°C

Operating Temperature 70°C

IP Rating with Casing 67

SERVICES AND WARRANTY

- Packaging Detail: Standard packaging with export carton or according to requirements.
- Delivery Detail: 7-10 working days for samples, 10-20 days for mass production.
- The warranty period is 3 years or above. According to national standards, a replacement is mandatory after constantly using for 3 years. During the warranty period, it can be replaced with any quality problems (except for man-made factors).
- Requires professional maintenance after emergency power installation, in case any abnormal condition happens, please maintenance in time or inform our company to send professionals to provide technical support.

NOTE

Nickel Metal Hydride (Ni Cd) Battery Shipping Regulations to comply with IATA provisions for air transporting nickel metal hydride batteries. Please visit the following site to learn more:

<https://www.iata.org/contentassets/b08040a138dc4442a4f066e6fb99fe2a/guidance-document-nickel-metal-hydride-batteries-en-201608.pdf>

Disclaimer: Sanforce© reserves the right to make changes in specifications and/or to discontinue any product at any time without notice or obligation and will not be liable for any consequences resulting from the use of this publication.





No.29, Longfeng Road, Xinsheng, Longgang District, Shenzhen City, China

Tech Support: 0755-89648670, 0755-84293891 Fax: 0755-89648671

Email: info@sanforce-tech.com

www.sanforce-tech.com