

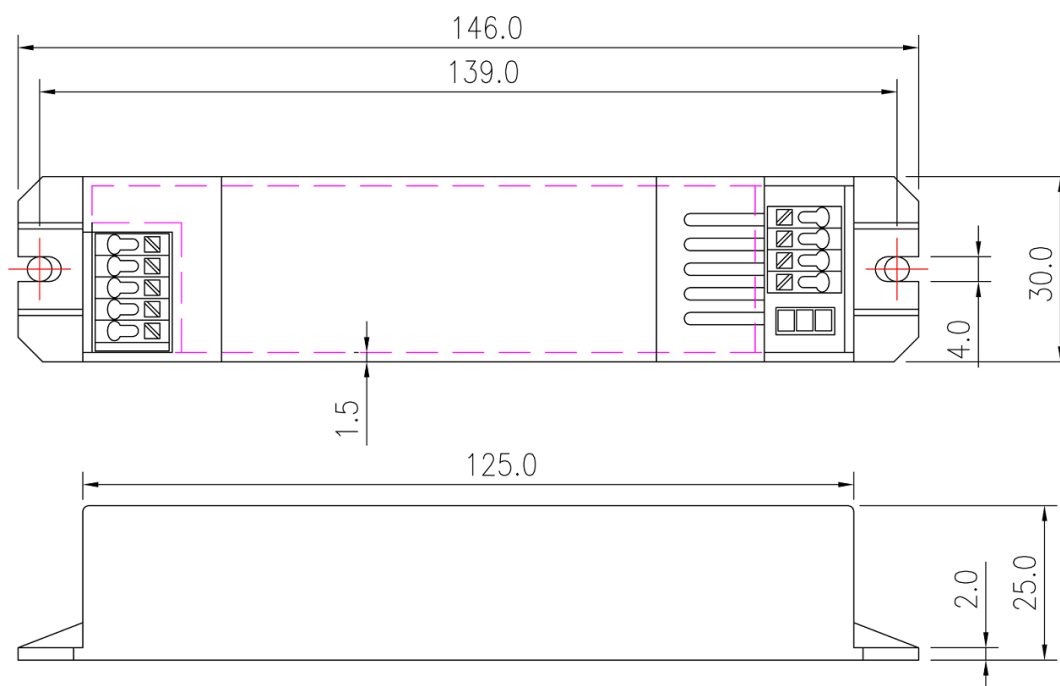
Product Specification

LED Emergency Module

SF-ZLZD-E30WP02

Sanforce Technology(ShenZhen)Co.,Ltd

Product Appearance



Product Description

SF-ZLZD-E30WP01 LED emergency is specially applied to various LED fire emergency lamps.

This product is controlled by a built-in IC, which can conduct regular self-test and fault alarm. It is a constant power emergency output, which can be set the emergency power according to the user's needs. It can automatically adapt to the lamp voltage, and automatically adjust the output current to maintain the output power when connecting different lamps, The same emergency time can be guaranteed without replacing the battery.

Range of Applications

1. Applicable to all of LED lights with both of normal operation and emergency function. The maximum emergency output power can reach 3W, and the emergency time is 1 to 3 hours.
2. The output voltage can be set between 20V and 300V, and the output power can be adjusted between 1W and 3W.
3. It can be used at -10°C - $+70^{\circ}\text{C}$ ambient temperature by using high temperature battery.

Product Feature

1. This product adopts intelligent IC control circuit, which automatically lights up the light source for emergency when power is cut off, and automatically switches to the charging state when power is restored.
2. Emergency output DC20V~300V, suitable for various LED lighting circuits, with super adaptability.
3. The emergency power is 1~3w and the emergency time can be customized according to customer requirements.
4. Using switching power supply and IC boost constant current, the efficiency is as high as 80%;
5. Adjust the emergency output power according to the actual needs to achieve 1-3 hours of emergency lighting time.
6. High quality ternary lithium-ion battery with a service life of up to three years.
7. Led charge status display
8. Inverter with multiple protection functions:
charge protection, discharge protection and short circuit protection
8. Small size, convenient and flexible installation, suitable for various industrial, civil, architectural and other different places.

Technical Parameter

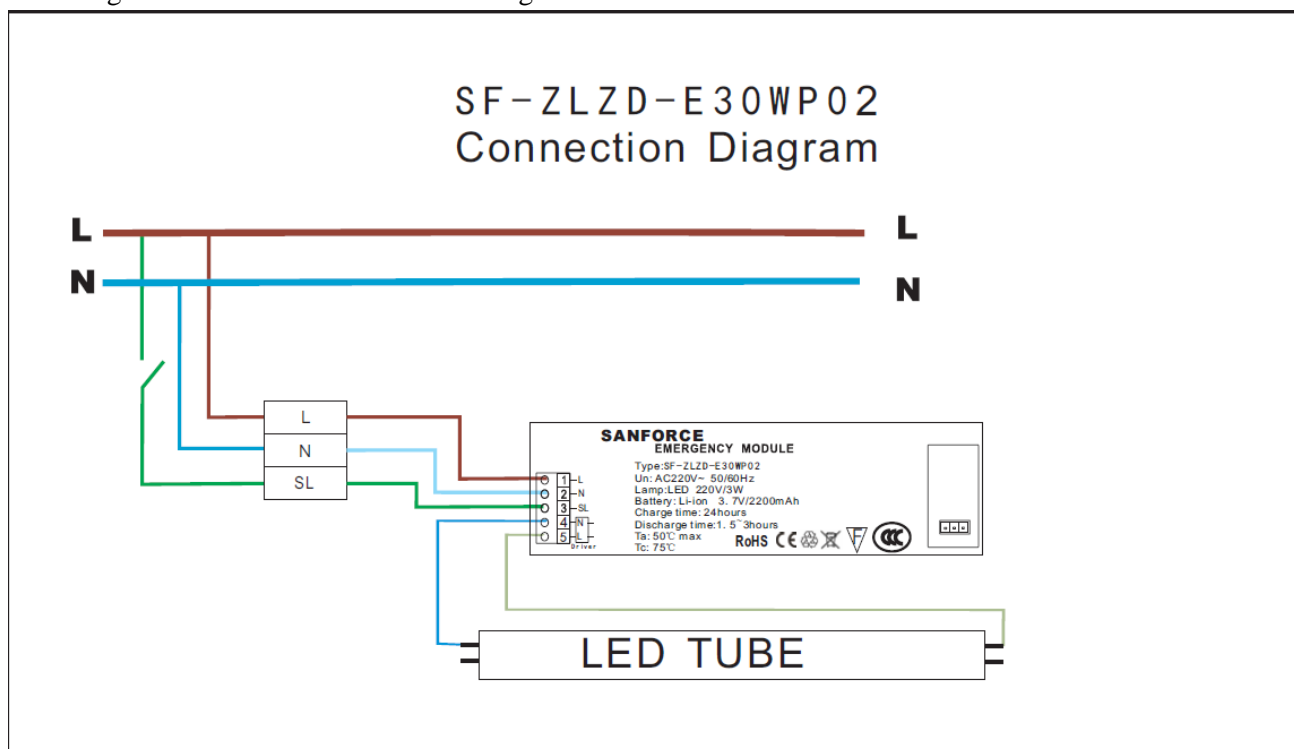
Inner package material	flame retardant ABS
Main power supply	AC220V~AC240V, 50HZ/60HZ;
Emergency time	More than 90 minutes
Emergency switching time	Less than 0.5Sec;
Charging time	24H
Emergency output current	<100mA
Emergency output voltage (maximum)	<300V
Emergency output voltage (minimum)	20V
Emergency power (adjustable)	<3W After setting, the power is constant, and the voltage and current are automatically adjusted
Battery voltage	3.7V (3~4.2V)
Battery discharge protection voltage	3V
Main power LED display	Green light

Charging LED display	Red light
Fault led display	Yellow light
Monthly inspection (30 days)	30~180S
Annual inspection (365 days)	> 30min
Inverter size	146×30×25mm
Battery model	Li-ion18650 2200mAH
Weight of single product	55g

Installation

1. L (line) and N (neutral) must be charged all the time, external connection with control switch is prohibited.
2. SL (live wire) is connected to the power end of the driver, and can be connected with an external switch to control the light on and off; When the lamp does not need to be controlled by the on-off switch, it can be short circuited with L (live wire) to be energized and on-off; Or without wiring, it becomes an emergency light that only lights up after power failure;
3. Other wiring must be in strict accordance with the wiring diagram;

Diagram for LED tube or other LED light with internal driver:



Attention

1. Comply with the wiring connection circuit diagram completely, prevent from over-loading and non-loading in the process of use and testing.
2. The battery is not charged when leaving the factory. Please charge it for more than 24 hours before use;

3. In general, the battery needs to be fully charged and discharged for around 3- 5 times in order the Ni-CD/Ni-MH battery to operate at full capacity.

4. It is detrimental for the Ni-CD/Ni-MH battery to lie idle for a long time, especially when it runs dead. Charge the battery completely when it is out of operation for a long time. (The battery cannot lie idle for more than three months)

Service and warranty

1. Packaging Detail: Standard packaging with Export carton or according to requirements.
Delivery Detail: 7-10 working days for samples, 10-20 days for mass production.
2. The warranty period is 2 years. Failure to install this product in accordance with the current edition of the IEE Wiring Regulations, improper use, or removal of the batch codes will invalidate the warranty. If this product should fail within its warranty period it should be returned to the place of purchase for a free of charge replacement. Sanforce does not accept responsibility for any installation costs associated with the replacement product. Your statutory rights are not affected. Sanforce reserve the right to alter product specification without prior notice.
3. Installation of this emergency kit should only be carried out by a qualified electrician or competent person to the latest Building and current IEE Wiring Regulations (BS7671).